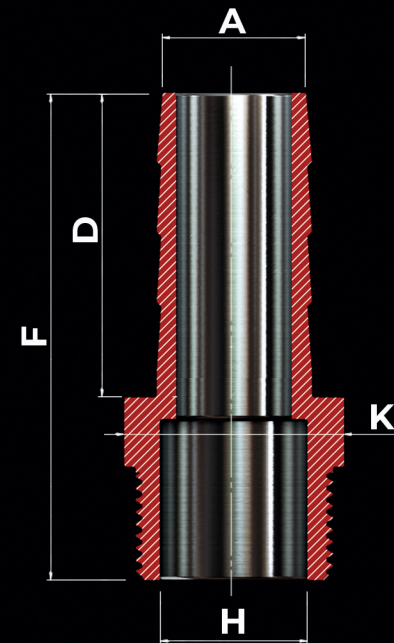
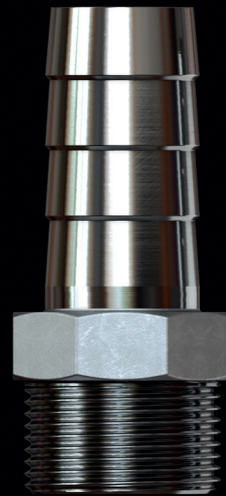
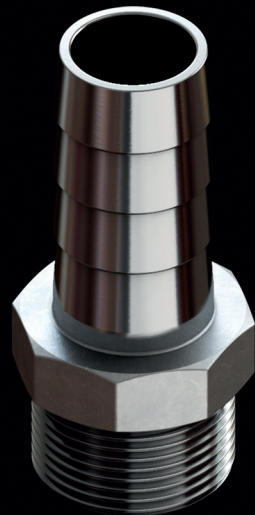


# Espigão Inox



OD	A	D	F	H	K
1/8"	7,5	21,0	38,0	5,0	11,7
1/4"	7,5	23,0	42,0	8,3	14,6
3/8"	8,5	25,0	47,8	10,7	19,0
1/2"	13,0	35,0	60,5	14,5	22,7
3/4"	19,0	42,5	70,0	20,0	28,6
1"	25,0	52,0	82,0	25,6	35,6
1.1/4"	32,0	51,0	82,9	34,1	44,5
1.1/2"	38,5	57,0	90,4	40,3	50,6
2"	50,6	69,5	108,0	51,3	62,6
2.1/2"	63,5	87,0	132,0	64,0	77,7
3"	75,5	97,0	145,0	77,8	81,5
4"	101,5	104,0	154,3	102,5	117,5

## Matéria Prima

Aço Inoxidável ASTM  
A351 CF8 (304)

## Extremidade

BSP 150#

Todas as medidas  
poderão sofrer alterações  
sem aviso prévio