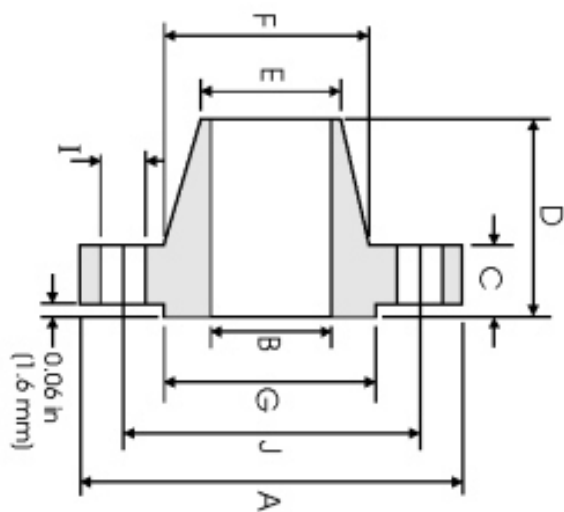


## Flange Pescoço (WN) ANSI B16.5 Classe 900lbs



DN	A	B	C	D	E	F	G	Nº FUROS	I	J	Peso
1/2	120.6		22.30	60.45	21.30	38.10	35.00	4	22.30	82.50	1.87
3/4	130.0		25.40	69.85	26.70	44.00	42.90	4	22.30	88.90	2.56
1	149.3		28.40	73.15	33.50	52.30	50.80	4	25.40	101.6	3.74
1 1/4	158.7		28.40	73.15	42.20	63.50	63.50	4	25.40	111.2	4.33
1 1/2	177.8		31.70	82.50	48.30	69.85	73.15	4	28.40	123.9	5.94
2	215.9		38.10	101.6	60.45	104.6	91.90	8	25.40	165.1	10.8
2 1/2	244.3		41.10	104.6	73.15	123.9	104.6	8	28.40	190.5	15.0
3	241.3		38.10	101.6	88.90	127.0	127.0	8	25.40	190.5	13.7
4	292.1		44.40	114.3	114.3	158.7	157.2	8	31.70	234.9	22.5
5	349.2		50.80	127.0	141.2	190.5	185.7	8	35.00	279.4	37.4
6	381.0		55.60	139.7	168.4	234.9	215.9	12	31.70	317.5	47.7
8	469.9		63.50	162.0	219.2	298.4	269.7	12	38.10	393.7	81.3
10	546.1		69.85	184.1	273.0	368.3	323.8	16	38.10	469.9	119
12	609.6		79.25	200.1	323.8	419.1	381.0	20	38.10	533.4	157
14	641.3		85.80	212.8	355.6	450.8	412.7	20	41.10	558.8	180
16	704.8		88.90	215.9	406.4	508.0	469.9	20	44.40	615.9	217
18	787.4		101.6	228.6	457.2	565.1	533.4	20	50.80	685.8	292
20	857.2		107.9	247.6	508.0	622.3	584.2	20	53.80	749.3	362
24	1041.4		139.7	292.1	609.6	749.3	692.1	20	66.55	901.7	665

Dimensões em mm.

TODAS AS DIMENSÕES EM MM. PODERÁ SOFRER ALTERAÇÃO SEM AVISO PRÉVIO.