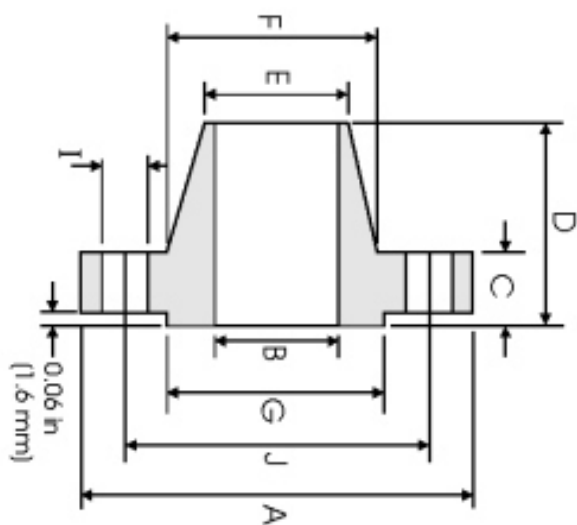


# Flange Pescoço (WN) ANSI B16.5 Classe 600lbs



DN	A	B	C	D	E	F	G	Nº FUROS	I	J	Peso
1/2	95.30		14.20	52.30	21.30	38.10	35.00	4	15.70	66.55	0.87
3/4	117.3		15.70	57.15	26.70	47.80	42.90	4	19.10	82.60	1.45
1	124.0		17.50	62.00	33.50	53.80	50.80	4	19.10	88.90	1.76
1 1/4	133.4		20.60	66.55	42.20	63.50	63.50	4	19.10	98.60	2.49
1 1/2	155.4		22.40	69.85	48.30	69.85	73.15	4	22.40	114.3	3.49
2	165.1		25.40	73.15	60.45	84.10	91.90	8	19.10	127.0	4.36
2 1/2	190.5		28.40	79.25	73.15	100.1	104.6	8	22.40	149.4	6.43
3	209.6		31.75	82.60	88.90	117.3	127.0	8	22.40	168.1	8.53
3 1/2	228.6		35.10	85.90	101.6	133.4	139.7	8	25.40	184.2	10.7
4	273.1		38.10	101.6	114.3	152.4	157.2	8	25.40	215.9	17.4
5	330.2		44.50	114.3	141.2	189.0	185.7	8	28.40	266.7	29.2
6	355.6		47.80	117.3	168.4	222.3	215.9	12	28.40	292.1	34.9
8	419.1		55.60	133.4	219.2	273.1	269.7	12	31.75	349.3	53.9
10	508.0		63.50	152.4	273.0	342.9	323.8	16	35.10	431.8	86.5
12	558.8		66.55	155.4	323.8	400.1	381.0	20	35.10	489.0	103
14	603.3		69.85	165.1	355.6	431.8	412.7	20	38.10	527.1	122
16	685.8		76.20	177.8	406.4	495.3	469.9	20	41.10	603.3	170
18	743.0		82.60	184.2	457.2	546.1	533.4	20	44.50	654.1	204
20	812.8		88.90	190.5	508.0	609.6	584.2	24	44.50	723.9	254
24	939.8		101.6	203.2	609.6	717.6	692.1	24	50.80	838.2	358

Dimensões em mm.

TODAS AS DIMENSÕES EM MM. PODERÁ SOFRER ALTERAÇÃO SEM AVISO PRÉVIO.