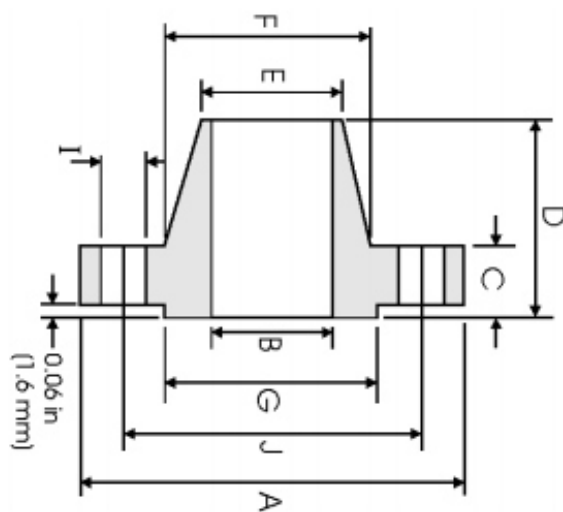


Flange Pescoço (WN) ANSI B16.5 Classe 300lbs



DN	A	B	C	D	E	F	G	Nº FUROS	I	J	Peso
1/2	95.20	15.70	14.20	52.30	21.30	38.10	35.00	4	15.70	66.55	0.75
3/4	117.3	20.80	15.70	57.15	26.70	47.70	42.90	4	19.00	82.50	1.26
1	123.9	26.70	17.50	62.00	33.50	53.80	50.80	4	19.00	88.90	1.52
1 1/4	133.3	35.10	19.00	65.00	42.20	63.50	63.50	4	19.00	98.50	2.03
1 1/2	155.4	40.90	20.60	68.30	48.30	69.85	73.15	4	22.30	114.3	2.89
2	165.1	52.60	22.30	69.85	60.45	84.00	91.90	8	19.00	127.0	3.40
2 1/2	190.5	62.70	25.40	76.20	73.15	100.0	104.6	8	22.30	149.3	5.17
3	209.5	78.00	28.40	79.25	88.90	117.3	127.0	8	22.30	168.1	6.93
3 1/2	228.6	90.20	30.20	81.00	101.6	133.3	139.7	8	22.30	184.1	8.67
4	254.0	102.4	31.70	85.80	114.3	146.0	157.2	8	22.30	200.1	11.2
5	279.4	128.3	35.00	98.50	141.2	177.8	185.7	8	22.30	234.9	15.1
6	317.5	154.2	36.50	98.50	168.4	206.2	215.9	12	22.30	269.7	19.1
8	381.0	202.7	41.10	111.2	219.2	260.3	269.7	12	25.40	330.2	29.9
10	444.5	254.5	47.70	117.3	273.0	320.5	323.8	16	28.40	387.3	42.7
12	520.7	304.8	50.80	130.0	323.8	374.6	381.0	16	31.70	450.8	61.8
14	584.2		53.80	142.7	355.6	425.4	412.7	20	31.70	514.3	85.8
16	647.7		57.15	146.0	406.4	482.6	469.9	20	35.00	571.5	106
18	711.2		60.45	158.7	457.2	533.4	533.4	24	35.00	628.6	131
20	774.7		63.50	162.0	508.0	587.2	584.2	24	35.00	685.8	158
24	914.4		69.85	168.1	609.6	701.5	692.1	24	41.10	812.8	230

Dimensões em mm.

TODAS AS DIMENSÕES EM MM. PODERÁ SOFRER ALTERAÇÃO SEM AVISO PRÉVIO.