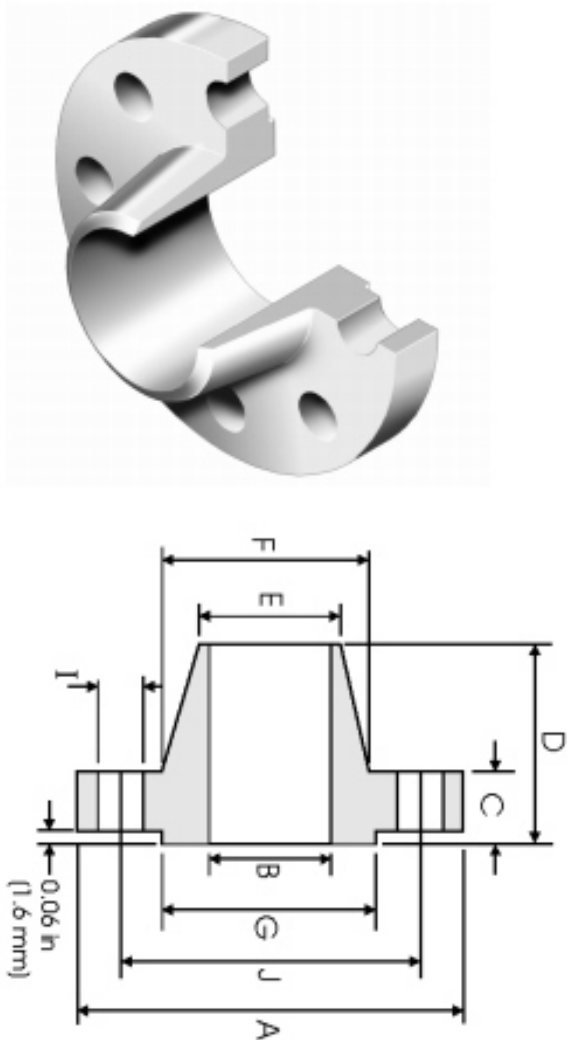


Flange Pescoço (WN) ANSI B16.5 Classe 1500lbs



DN	A	B	C	D	E	F	G	Nº FURROS	I	J	Peso
1/2	120.6		22.30	60.45	21.30	38.10	35.00	4	22.30	82.50	1.87
3/4	130.0		25.40	69.85	26.70	44.00	42.90	4	22.30	88.90	2.56
1	149.3		28.40	73.15	33.50	52.30	50.80	4	25.40	101.6	3.74
1 1/4	158.7		28.40	73.15	42.20	63.50	63.50	4	25.40	111.2	4.33
1 1/2	177.8		31.70	82.50	48.30	69.85	73.15	4	28.40	123.9	5.94
2	215.9		38.10	101.6	60.45	104.6	91.90	8	25.40	165.1	10.8
2 1/2	244.3		41.10	104.6	73.15	123.9	104.6	8	28.40	190.5	15.0
3	266.7		47.70	177.3	88.90	133.3	127.0	8	31.70	203.2	19.9
4	311.1		53.80	123.9	114.3	162.0	157.2	8	35.00	241.3	29.9
5	374.6		73.15	155.4	141.2	196.8	185.7	8	41.10	292.1	55.4
6	393.7		82.50	171.4	168.4	228.6	215.9	12	38.10	317.5	68.4
8	482.6		91.90	212.8	219.2	292.1	269.7	12	44.40	393.7	117
10	584.2		107.9	254.0	273.0	368.3	323.8	12	50.80	482.6	194
12	673.1		123.9	282.4	323.8	450.8	381.0	16	53.80	571.5	288
14	749.3		133.3	298.4	355.6	495.3	412.7	16	60.45	635.0	380
16	825.5		146.0	311.1	406.4	552.4	469.9	16	66.55	704.8	485
18	914.4		162.0	327.1	457.2	596.9	533.4	16	73.15	774.7	644
20	984.2		177.8	355.6	508.0	641.3	584.2	16	79.25	831.8	775
24	1168.4		203.2	406.4	609.6	762.0	692.1	16	91.90	990.6	1232

Dimensões em mm.

TODAS AS DIMENSÕES EM MM. PODERÁ SOFRER ALTERAÇÃO SEM AVISO PRÉVIO.