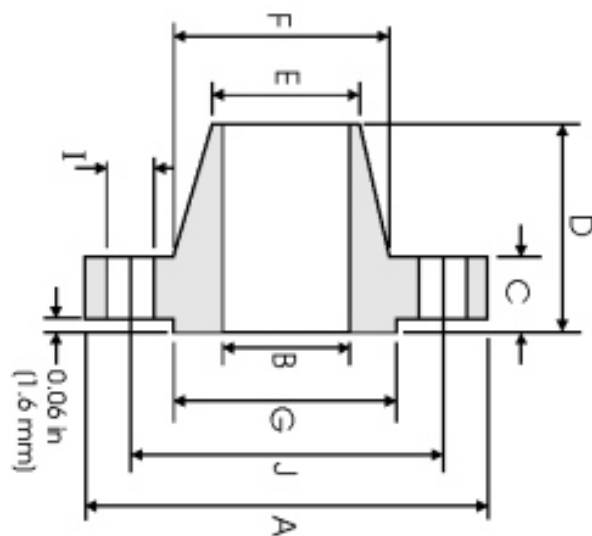


# Flange Pescoço (WN) ANSI B16.5 Classe 150lbs



DN	A	B	C	D	E	F	G	Nº FURROS	I	J	Peso
1/2	88.90	15.70	11.20	47.80	21.30	30.20	35.00	4	15.70	60.45	0.48
3/4	98.60	20.80	12.70	52.30	26.70	38.10	42.90	4	15.70	69.85	0.71
1	108.0	26.70	14.20	55.60	33.50	49.30	50.80	4	15.70	79.25	1.01
1 1/4	117.3	35.10	15.70	57.15	42.20	58.70	63.50	4	15.70	88.90	1.33
1 1/2	127.0	40.90	17.50	62.00	48.30	65.00	73.15	4	15.70	98.60	1.72
2	152.4	52.60	19.10	63.50	60.45	77.70	91.90	4	19.10	120.7	2.58
2 1/2	177.8	62.70	22.40	69.85	73.15	90.40	104.6	4	19.10	139.7	4.11
3	190.5	78.00	23.90	69.85	88.90	108.0	127.0	4	19.10	152.4	4.92
3 1/2	215.9	90.20	23.90	71.40	101.6	122.2	139.7	8	19.10	177.8	6.08
4	228.6	102.4	23.90	76.20	114.3	134.9	157.2	8	19.10	190.5	6.84
5	254.0	128.3	23.90	88.90	141.2	163.6	185.7	8	22.40	215.9	8.56
6	279.4	154.2	25.40	88.90	168.4	192.0	215.9	8	22.40	241.3	10.6
8	342.9	202.7	28.40	101.6	219.2	246.1	269.7	8	22.40	298.5	17.6
10	406.4	254.5	30.20	101.6	273.0	304.8	323.8	12	25.40	362.0	24.0
12	482.6	304.8	31.75	114.3	323.8	365.3	381.0	12	25.40	431.8	36.5
14	533.4		35.10	127.0	355.6	400.1	412.7	12	28.40	476.3	48.4
16	596.9		36.60	127.0	406.4	475.2	469.9	16	28.40	539.8	60.6
18	635.0		39.60	139.7	457.2	505.0	533.4	16	31.75	577.9	68.3
20	698.5		42.90	144.5	508.0	558.8	584.2	20	31.75	635.0	84.5
24	812.8		47.80	152.4	609.6	663.4	692.1	20	35.10	749.3	115

Dimensões em mm.

TODAS AS DIMENSÕES EM MM. PODERÁ SOFRER ALTERAÇÃO SEM AVISO PRÉVIO.