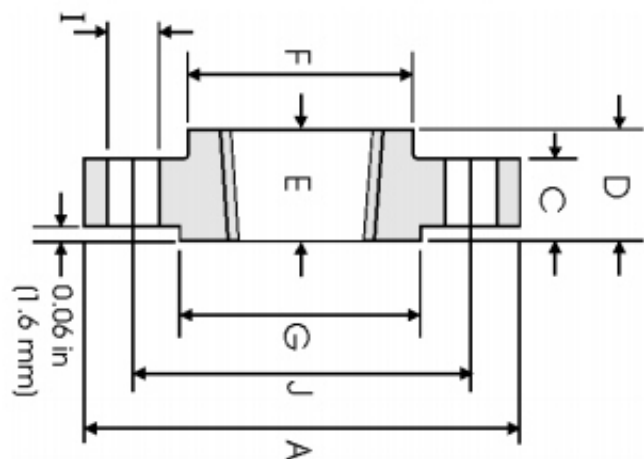


Flange Roscado ANSI B16.5 Classe 600lbs



DN	A	B	C	D	E	F	G	Nº FURROS	I	J	Peso
1/2	95.20	23.60	14.20	22.40	15.70	38.10	35.10	4	15.70	66.55	0.74
3/4	117.3	29.00	15.70	25.40	15.70	47.80	42.90	4	19.10	82.60	1.27
1	124.0	35.80	17.50	26.90	17.50	53.80	50.80	4	19.10	88.90	1.52
1 1/4	133.4	44.50	20.60	28.40	20.60	63.50	63.50	4	19.10	98.60	2.03
1 1/2	155.4	50.50	22.40	31.75	22.40	69.85	73.15	4	22.40	114.3	2.96
2	165.1	63.50	25.40	36.60	28.40	84.10	91.90	8	19.10	127.0	3.62
2 1/2	190.5	76.20	28.40	41.10	31.75	100.1	104.6	8	22.40	149.4	5.28
3	209.6	92.20	31.75	46.00	35.10	117.3	127.0	8	22.40	168.1	7.00
3 1/2	228.6	104.9	35.10	49.30	39.60	133.4	139.7	8	25.40	184.2	8.84
4	273.1	117.6	38.10	53.80	41.10	152.4	157.2	8	25.40	215.9	14.5
5	330.2	144.5	44.50	60.45	47.80	189.0	185.7	8	28.40	266.7	24.4
6	355.6	171.5	47.80	66.55	50.80	222.3	215.9	12	28.40	292.1	28.7
8	419.1	222.3	55.60	76.20	57.15	273.1	269.7	12	31.75	349.3	43.4
10	508.0	276.4	63.50	85.90	65.00	342.9	323.9	16	35.10	431.8	70.3
12	558.8	328.7	66.55	91.90	69.85	400.1	381.0	20	35.10	489.0	84.2
14	603.3	360.4	69.85	93.70	73.15	431.8	412.8	20	38.10	527.1	98.7
16	685.8	411.2	76.20	106.4	77.70	495.3	469.9	20	41.10	603.3	142
18	743.0	462.0	82.60	117.3	79.25	546.1	533.4	20	44.50	654.1	173
20	812.8	512.8	88.90	127.0	82.60	609.6	584.2	24	44.50	723.9	220
24	939.8	614.4	101.6	139.7	91.90	717.6	692.2	24	50.80	838.2	312

Dimensões em mm

TODAS AS DIMENSÕES EM MM. PODERÁ SOFRER ALTERAÇÃO SEM AVISO PRÉVIO.