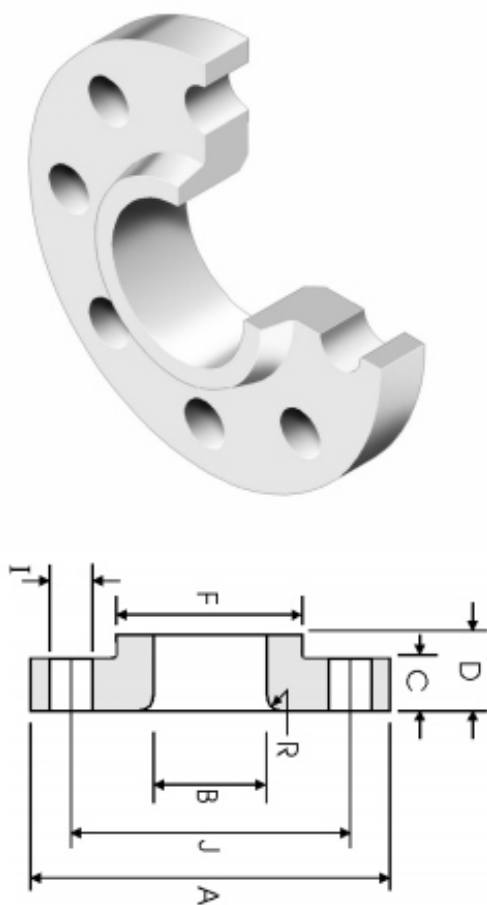


Flange Solto (LJ) ANSI B16.5 Classe 300lbs



DN	A	B	C	D	R	F	N° FUROS	I	J	Peso
1/2	95.20	22.90	14.20	22.30	3.000	38.10	4	15.70	66.55	0.62
3/4	117.3	28.20	15.70	25.40	3.000	47.70	4	19.00	82.50	1.10
1	123.9	35.10	17.50	26.90	3.000	53.80	4	19.0	88.90	1.33
1 1/4	133.3	43.70	19.00	26.90	4.800	63.50	4	19.00	98.50	1.65
1 1/2	155.4	50.00	20.60	30.20	6.400	69.85	4	22.30	114.3	2.44
2	165.1	62.50	22.30	33.20	7.900	84.00	8	19.10	127.0	2.83
2 1/2	190.5	75.40	25.40	38.10	7.900	100.0	8	22.30	149.3	4.25
3	209.5	91.40	28.40	42.90	9.700	117.3	8	22.30	168.1	5.78
3 1/2	228.6	104.1	30.20	44.40	9.700	133.3	8	22.30	184.1	7.27
4	254.0	116.8	31.70	47.70	11.20	146.0	8	22.30	200.1	9.55
5	279.4	114.5	35.00	50.80	11.20	177.8	8	22.30	234.9	12.2
6	317.5	171.5	36.50	52.30	12.70	206.2	12	22.30	269.7	15.5
8	381.0	222.3	41.10	61.90	12.70	260.3	12	25.40	330.2	24.1
10	444.5	277.4	47.70	95.20	12.70	320.5	16	28.40	387.3	34.4
12	520.7	328.2	50.80	101.6	12.70	374.6	16	31.70	450.8	50.4
14	584.2	360.2	53.80	111.2	12.70	425.4	20	31.70	514.3	70.9
16	647.7	411.2	57.15	120.6	12.70	482.6	20	35.00	571.5	89.5
18	711.2	462.3	60.45	130.0	12.70	533.4	24	35.00	628.6	111
20	774.7	514.4	63.50	139.7	12.70	587.2	24	35.0	685.8	137
24	914.4	616.0	69.8	152.4	12.70	701.5	24	41.10	812.8	204

Dimensões em mm.

TODAS AS DIMENSÕES EM MM. PODERÁ SOFRER ALTERAÇÃO SEM AVISO PRÉVIO.