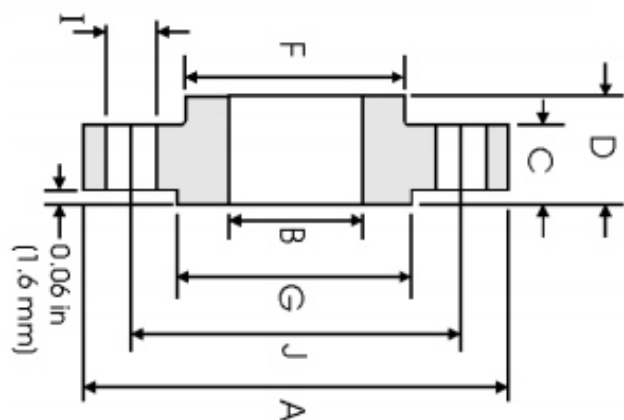


Flange Slip On (SO) ANSI B16.5 Classe 300lbs



| DN | A | B | C | D | F | G | Nº FUROS | I | J | Peso |
|-------|-------|-------|-------|-------|-------|-------|----------|-------|-------|------|
| 1/2 | 95.20 | 22.40 | 14.20 | 22.40 | 38.10 | 35.10 | 4 | 15.70 | 66.55 | 0.64 |
| 3/4 | 117.3 | 27.70 | 15.70 | 25.40 | 47.70 | 42.90 | 4 | 19.10 | 82.50 | 1.12 |
| 1 | 123.9 | 34.50 | 17.50 | 26.90 | 53.80 | 50.80 | 4 | 19.10 | 88.90 | 1.36 |
| 1 1/4 | 133.3 | 43.20 | 19.00 | 26.90 | 63.50 | 63.50 | 4 | 19.10 | 98.60 | 1.68 |
| 1 1/2 | 155.4 | 49.50 | 20.60 | 30.20 | 69.85 | 73.15 | 4 | 22.40 | 114.3 | 2.49 |
| 2 | 165.1 | 62.00 | 22.30 | 33.20 | 84.00 | 91.90 | 8 | 19.10 | 127.0 | 2.87 |
| 2 1/2 | 190.5 | 74.70 | 25.40 | 38.10 | 100.0 | 104.6 | 8 | 22.40 | 149.4 | 4.32 |
| 3 | 209.5 | 90.70 | 28.40 | 42.90 | 117.3 | 127.0 | 8 | 22.40 | 168.1 | 5.85 |
| 3 1/2 | 228.6 | 103.4 | 30.20 | 44.40 | 133.3 | 139.7 | 8 | 22.40 | 184.2 | 7.34 |
| 4 | 254.0 | 116.1 | 31.70 | 47.70 | 146.0 | 157.2 | 8 | 22.40 | 200.1 | 9.61 |
| 5 | 279.4 | 143.8 | 35.00 | 50.80 | 177.8 | 185.7 | 8 | 22.40 | 234.9 | 12.3 |
| 6 | 317.5 | 170.7 | 36.50 | 52.30 | 206.2 | 215.9 | 12 | 22.40 | 269.7 | 15.6 |
| 8 | 381.0 | 221.5 | 41.10 | 61.90 | 260.3 | 269.7 | 12 | 25.40 | 330.2 | 24.2 |
| 10 | 444.5 | 276.3 | 47.70 | 66.55 | 320.5 | 323.9 | 16 | 28.40 | 387.3 | 34.1 |
| 12 | 520.7 | 327.1 | 50.80 | 73.15 | 374.6 | 381.0 | 16 | 31.70 | 450.8 | 49.8 |
| 14 | 584.2 | 359.1 | 53.80 | 76.20 | 425.4 | 412.8 | 20 | 31.70 | 514.4 | 69.9 |
| 16 | 647.7 | 410.5 | 57.15 | 82.50 | 482.6 | 469.9 | 20 | 35.00 | 571.5 | 88.1 |
| 18 | 711.2 | 461.8 | 60.45 | 88.90 | 533.4 | 533.4 | 24 | 35.00 | 628.7 | 109 |
| 20 | 774.7 | 513.1 | 63.50 | 95.20 | 587.2 | 584.2 | 24 | 35.00 | 685.8 | 134 |
| 24 | 914.4 | 616.0 | 69.85 | 106.4 | 701.5 | 692.2 | 24 | 41.00 | 812.8 | 201 |

Dimensões em mm.

TODAS AS DIMENSÕES EM MM. PODERÁ SOFRER ALTERAÇÃO SEM AVISO PRÉVIO.