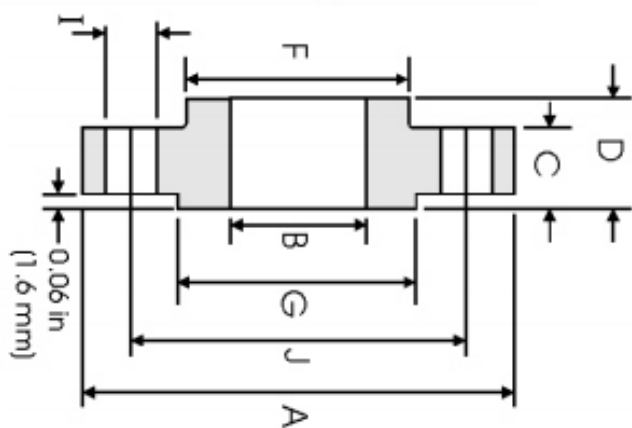


Flange Slip On (SO) ANSI B16.5 Classe 150lbs



DN	A	B	C	D	F	G	N° FUROS	I	J	Peso
1/2	88.90	22.40	11.20	15.70	30.20	35.10	4	15.70	60.45	0.39
3/4	98.60	27.70	12.70	15.70	38.10	42.90	4	15.70	69.85	0.56
1	108.0	34.50	14.20	17.50	49.30	50.80	4	15.70	79.25	0.78
1 1/4	117.3	43.20	15.70	20.60	58.70	63.50	4	15.70	88.90	1.03
1 1/2	127.0	49.50	17.50	22.40	65.00	73.15	4	15.70	98.60	1.32
2	152.4	62.00	19.10	25.40	77.70	91.90	4	19.10	120.7	2.06
2 1/2	177.8	74.70	22.40	28.40	90.40	104.6	4	19.10	139.7	3.28
3	190.5	90.70	23.90	30.20	108.0	127.0	4	19.10	152.4	3.85
3 1/2	215.9	103.4	23.90	31.75	122.2	139.7	8	19.10	177.8	4.81
4	228.6	116.1	23.90	33.30	134.9	157.2	8	19.10	190.5	5.30
5	254.0	143.8	23.90	36.60	163.6	185.7	8	22.40	215.9	6.07
6	279.4	170.7	25.40	39.60	192.0	215.9	8	22.40	241.3	7.45
8	342.9	221.5	28.40	44.50	246.1	269.7	8	22.40	298.5	12.1
10	406.4	276.3	30.20	49.30	304.8	323.9	12	25.40	362.0	16.5
12	482.6	327.1	31.75	55.60	365.3	381.0	12	25.40	431.8	26.2
14	533.4	359.1	35.10	57.15	400.1	412.8	12	28.40	476.3	34.6
16	596.9	410.5	36.60	63.50	457.2	469.9	16	28.40	539.8	44.8
18	635.0	461.8	39.60	68.30	505.0	533.4	16	31.75	577.9	48.9
20	698.5	513.1	42.90	73.15	558.8	584.2	20	31.75	635.0	61.9
24	812.8	616.0	47.80	82.60	663.4	692.2	20	35.10	749.3	86.9

Dimensões em mm.

TODAS AS DIMENSÕES EM MM. PODERÁ SOFRER ALTERAÇÃO SEM AVISO PRÉVIO.