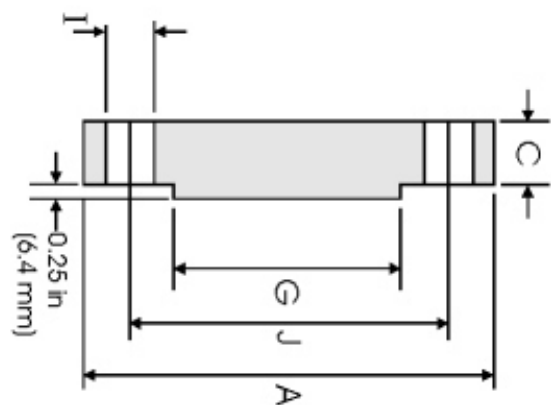


Flange Cego ANSI B16.5 Classe 900lbs



DN	A	C	G	N° FUROS	I	J	Peso
1/2	120.6	22.30	35.10	4	22.30	82.50	1.77
3/4	130.0	25.40	42.90	4	22.30	88.90	2.42
1	149.3	28.40	50.80	4	25.40	101.6	3.57
1 1/4	158.7	28.40	63.50	4	25.40	111.2	4.15
1 1/2	177.8	31.70	73.15	4	28.40	123.9	5.75
2	215.9	38.10	91.90	8	25.40	165.1	10.1
2 1/2	244.3	41.10	104.6	8	28.40	190.5	14.0
3	241.3	38.10	127.0	8	25.40	190.5	13.1
4	292.1	44.50	157.2	8	31.70	234.9	26.9
5	349.2	50.80	185.7	8	35.00	279.4	36.5
6	381.0	55.60	215.9	12	31.70	317.0	47.40
8	469.9	63.50	269.7	12	38.10	393.7	82.5
10	546.1	69.85	323.9	16	38.10	469.9	122
12	609.6	79.25	381.0	20	38.10	533.4	173
14	641.3	85.80	412.8	20	41.10	558.8	206
16	704.8	88.90	469.9	20	44.40	615.9	259
18	787.4	101.6	533.4	20	50.80	685.8	367
20	857.2	107.9	584.2	20	53.80	749.3	463
24	1041.4	139.7	692.2	20	66.55	901.7	876

Dimensões em mm.

TODAS AS DIMENSÕES EM MM. PODERÁ SOFRER ALTERAÇÃO SEM AVISO PRÉVIO.