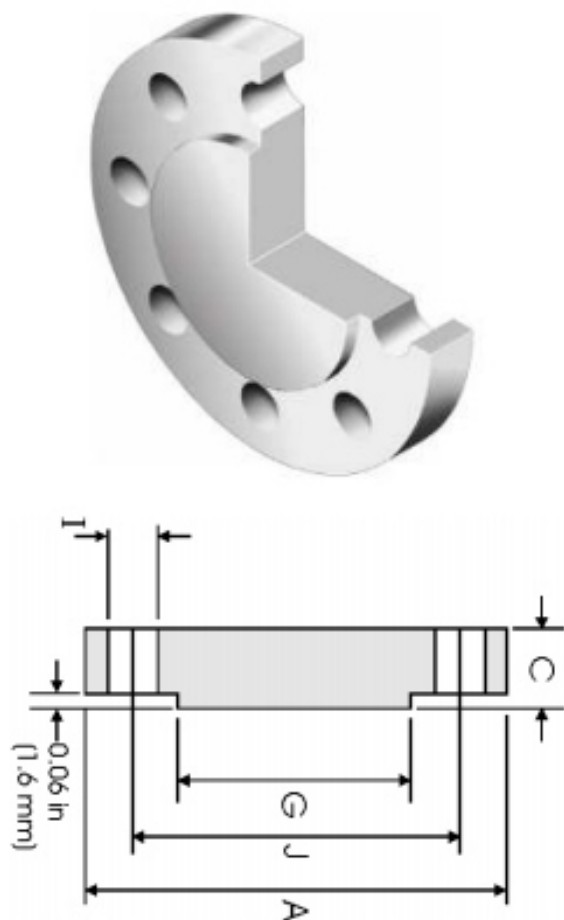


Flange Cego ANSI B16.5 Classe 300lbs



DN	A	C	G	N° FUROS	I	J	Peso
1/2	95.20	14.20	35.10	4	15.70	66.55	0.64
3/4	117.3	15.70	42.90	4	19.00	82.50	1.11
1	123.9	17.50	50.80	4	19.00	88.90	1.39
1 1/4	133.3	19.00	63.50	4	19.00	98.50	1.79
1 1/2	155.4	20.60	73.15	4	22.3	114.3	2.66
2	165.1	22.30	91.90	8	19.10	127.0	3.18
2 1/2	190.5	25.40	104.6	8	22.30	1.493	4.85
3	209.5	28.40	127.0	8	22.30	168.1	6.81
3 1/2	228.6	30.20	139.7	8	22.30	184.1	8.71
4	254.0	31.70	157.2	8	22.30	200.1	11.5
5	279.4	35.00	185.7	8	22.30	234.9	15.6
6	317.5	36.50	215.9	12	22.30	269.7	20.9
8	381.0	41.10	269.7	12	25.40	330.2	34.3
10	444.5	47.70	323.9	16	28.40	387.3	53.3
12	520.7	50.80	381.0	16	31.70	450.8	78.8
14	584.2	53.80	412.8	20	31.70	514.3	105
16	647.7	57.15	469.9	20	35.00	571.5	137
18	711.2	60.45	533.4	24	35.00	628.6	175
20	774.7	63.50	584.2	24	35.00	685.8	221
24	914.4	69.85	692.2	24	41.10	812.8	339

Dimensões em mm.

TODAS AS DIMENSÕES EM MM. PODERÁ SOFRER ALTERAÇÃO SEM AVISO PRÉVIO.