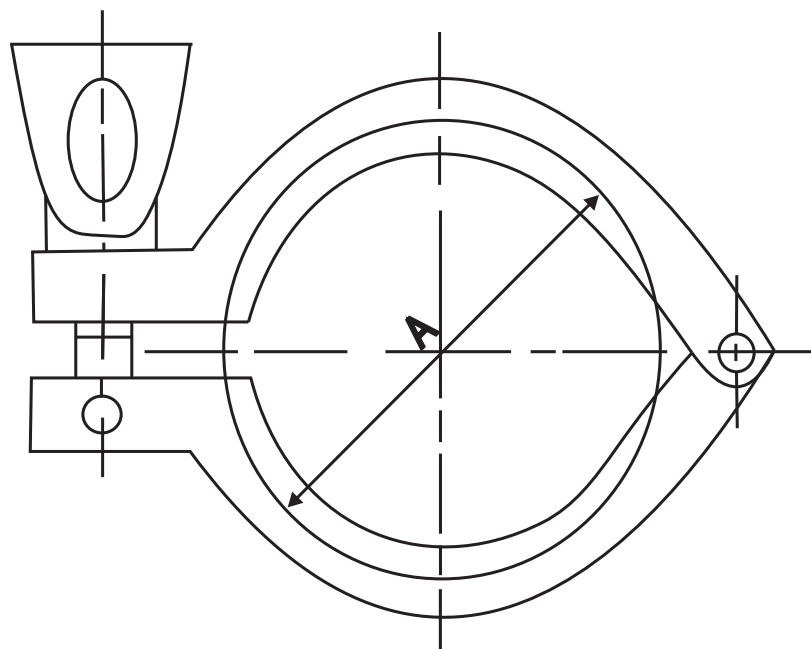


Abraçadeira TC



BITOLA	NORMAL ØA
1/2"	30,0
3/4"	30,0
1"	54,0
1.1/2"	54,0
2"	67,0
2.1/2"	81,0
3"	94,0
4"	122,0
6"	172,0

TODAS AS DIMENSÕES EM MM. PODERÁ SOFRER ALTERAÇÃO SEM AVISO PRÉVIO.